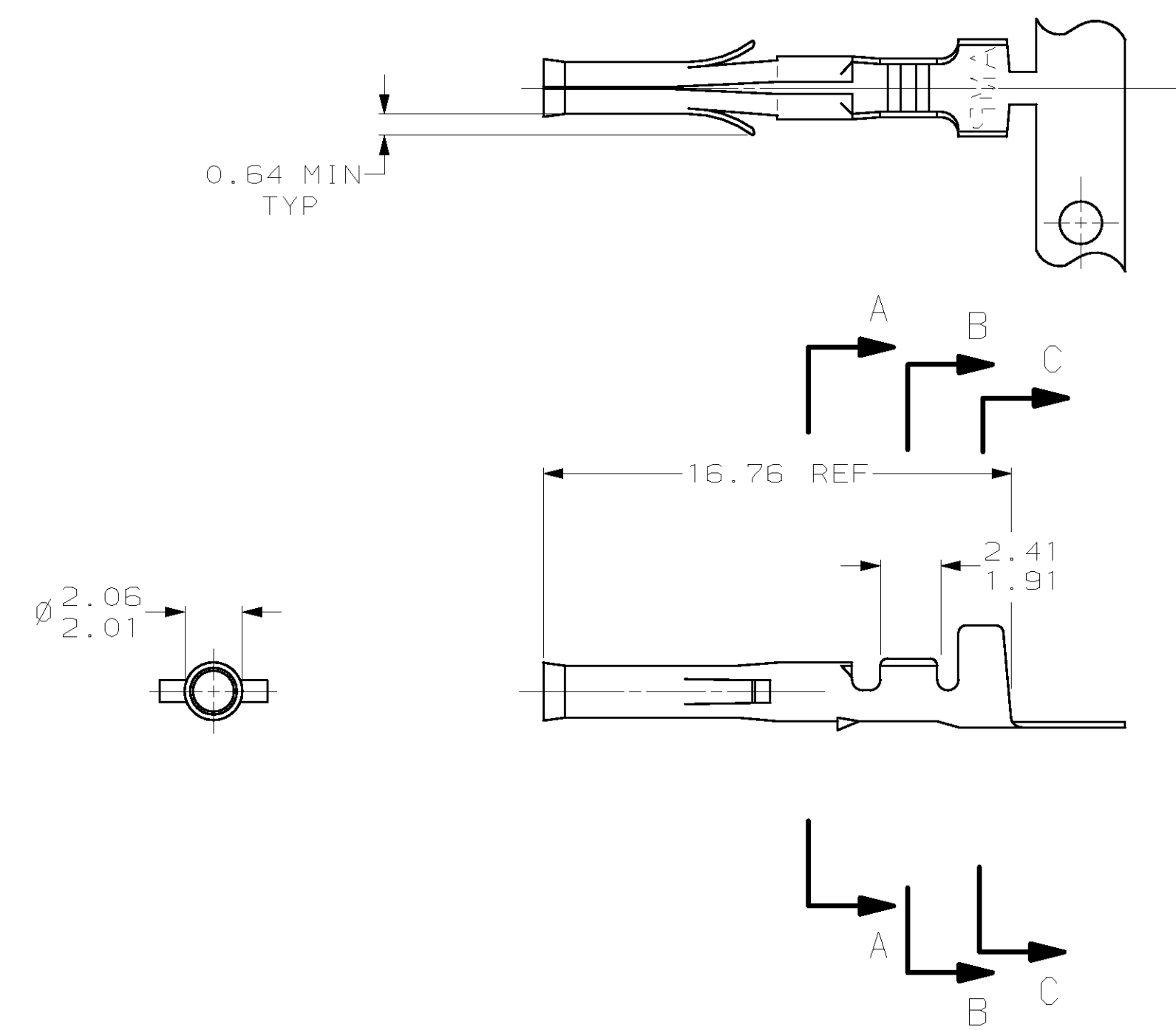
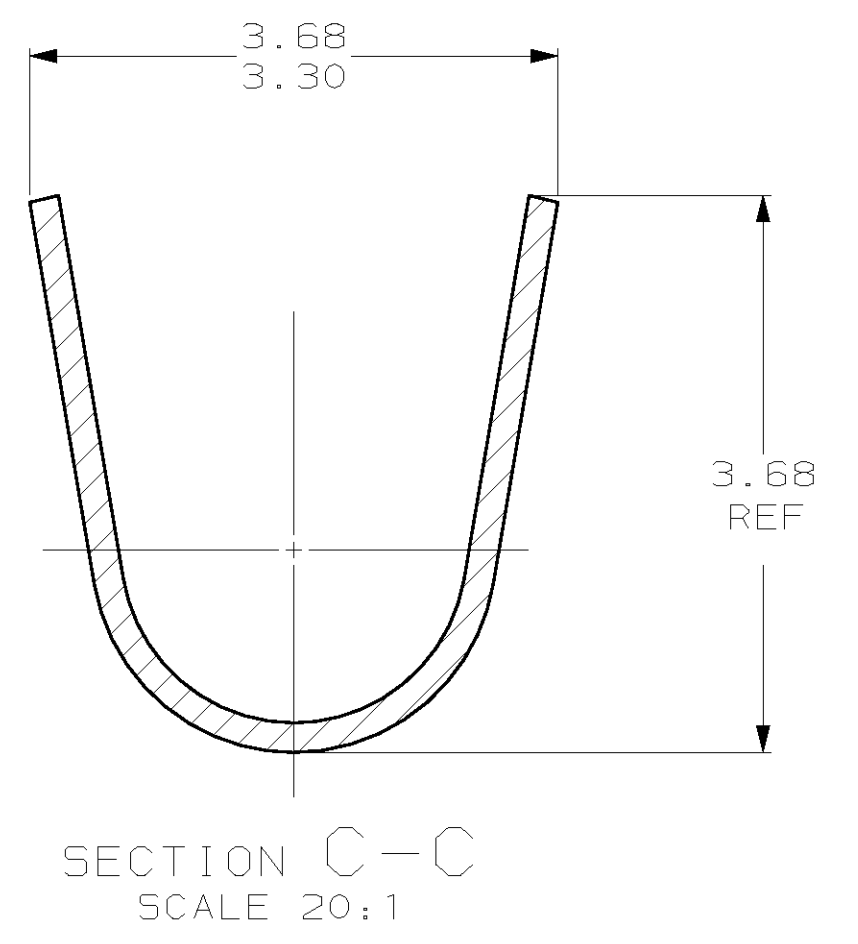
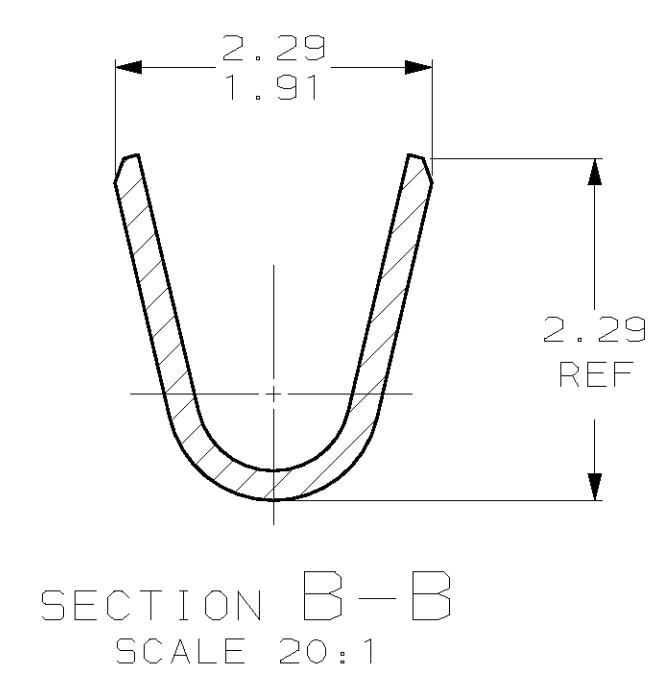
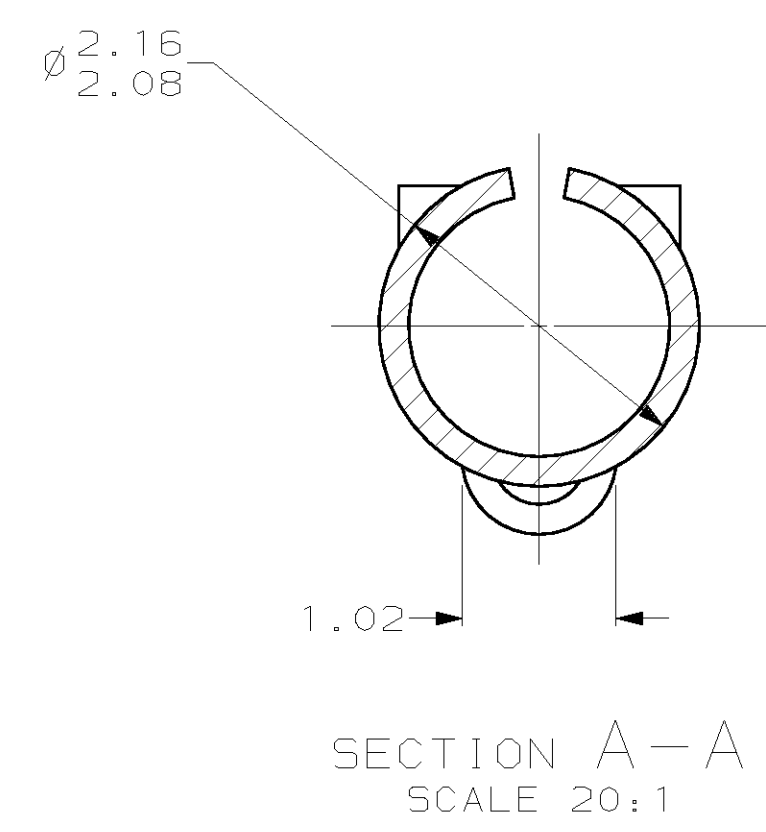


LOC	QTY	REV	DESCRIPTION	DATE	OWN	APVD
CM	53	0	RLSD -1 PER PR CM 97-63	5-13-97	RV	RS



MM	IN	MM	IN
2.06	.081	16.76	.660
2.01	.079	3.68	.145
1.91	.075	3.30	.130
1.02	.040	2.41	.095
0.64	.025	2.29	.090
0.20	.008	2.16	.085
0.13	.005	2.08	.082
MM	IN	MM	IN

CONVERSION TABLE

794380-1
PART NUMBER

METRIC

THIS DRAWING IS A CONTROLLED DOCUMENT.

DIMENSIONS: mm 	TOLERANCES UNLESS OTHERWISE SPECIFIED: 1. PLC ± 2. PLC ± 3. PLC ±0.13 4. PLC ± ANGLES 40°30'	DWN: VESTAL 5-13-97 R: SWING 5-13-97 CHK: SWING 5-13-97 APVD: CASH 5-13-97 PRODUCT SPEC: - APPLICATION SPEC: - MATERIAL: 0.20 BRASS FINISH: PRE-TIN HEIGHT: - CUSTOMER DRAWING	AMP Incorporated Harrisburg, PA 17105-3608 .062 SOCKET, COMMERCIAL PIN AND SOCKET SIZE: A1 SCALE CODE: C DRAWING NO: 00779 PART NO: 794380 SCALE: 5:1 SHEET: 1 OF 1 REV: 0
-----------------------	---	---	--